

**NEW!**

## **Perforated Stainless Steel Filter**



### **Uses**

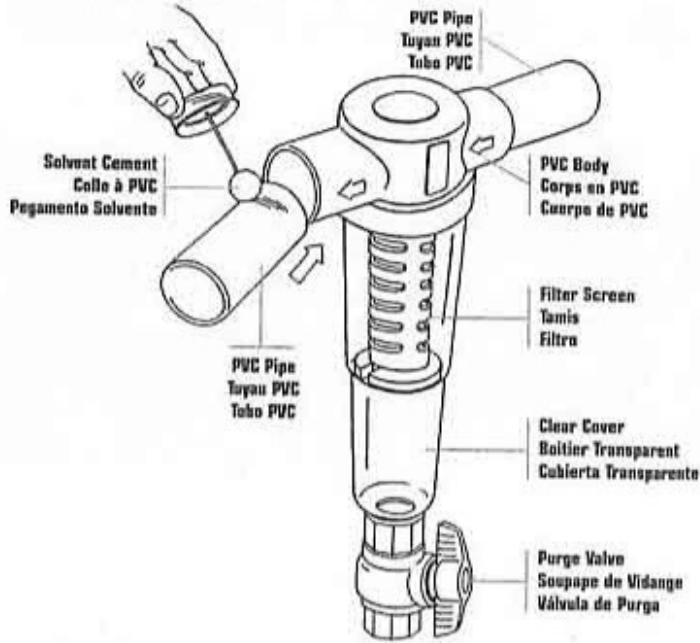
*Irrigation from surface water sources*

*Domestic or Commercial water supplies with abrasive sediment*

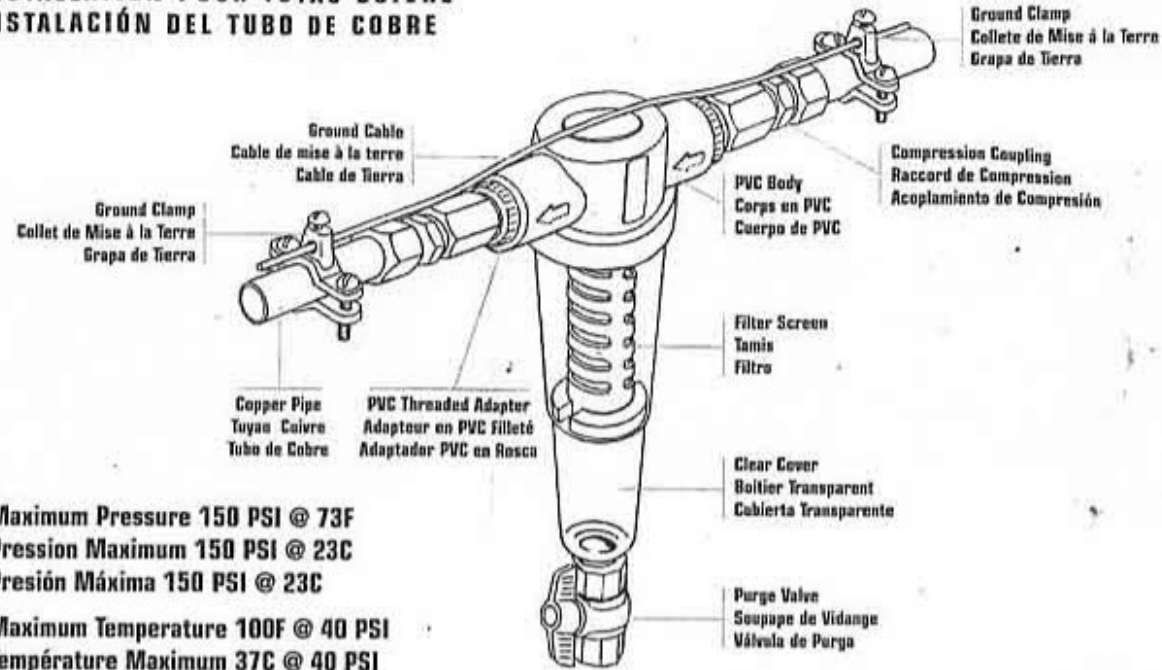
### **Features**

- The ultimate in screen element durability
- Available in high flow 1", 1 1/2" & 2" screen style models
- Perforated opening sizes available in .033", .063" and .156"
- All the standard Vu-Flow filter features available: (clear cover, centrifuge separation, purge outlet, and glue up installation)

**INSTALLATION FOR PVC PIPE  
INSTALLATION POUR TUYAU PVC  
INSTALACIÓN DEL TUBO PVC**

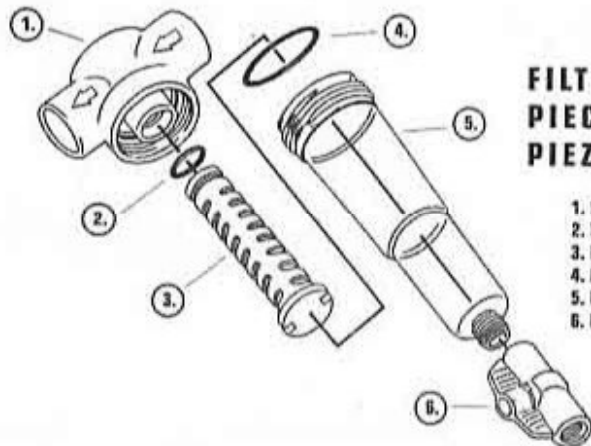


**INSTALLATION FOR COPPER PIPE  
INSTALLATION POUR TUYAU CUIVRE  
INSTALACIÓN DEL TUBO DE COBRE**



**Maximum Pressure 150 PSI @ 73F  
Pression Maximum 150 PSI @ 23C  
Presión Máxima 150 PSI @ 23C**

**Maximum Temperature 100F @ 40 PSI  
Température Maximum 37C @ 40 PSI  
Temperatura Máxima 37C @ 40 PSI**



**FILTER PARTS  
PIECES DU FILTRE  
PIEZAS DE FILTRO**

1. Filter Body - Corps du Filtre - Cuerpo del Filtro
2. Filter Screen O-ring - Joint du Tamis - Junta de Anillo del Filtro
3. Filter Screen - Tamis - Filtro
4. Filter Cover O-ring - Joint du Boîtier - Anillo de la Cubierta del Filtro
5. Filter Cover - Boîtier - Cubierta del Filtro
6. Flush Valve - Soupape de Vidange - Válvula de drenaje

**SCREEN MESH  
CONVERSION**

Screen Sizes • Polyester		
Mesh	Microns	Opening
24	711	.028"
*30	533	.021"
40	381	.015"
*60	254	.010"
*100	152	.006"
*140	104	.004"
250	61	.0024"
500	30	.0012"
1000	15	.0006"

**CONVERSION  
DES MESH**

Grossueur du Tamis • Polyester		
Mesh	Microns	Ouverture
24	711	.028"
*30	533	.021"
40	381	.015"
*60	254	.010"
*100	152	.006"
*140	104	.004"
250	61	.0024"
500	30	.0012"
1000	15	.0006"

**CONVERSIÓN  
DE MALLA**

Tamaño del Filtro • Poliéster		
Malla	Microns	Apertura
24	711	.028"
*30	533	.021"
40	381	.015"
*60	254	.010"
*100	152	.006"
*140	104	.004"
250	61	.0024"
500	30	.0012"
1000	15	.0006"

\*Also available in Stainless Steel Mesh • \*Aussi Disponible en Acier Inoxydable • \*También disponible en Malla de Acero Inoxidable

# Automatic Flush Valve



## Model No.

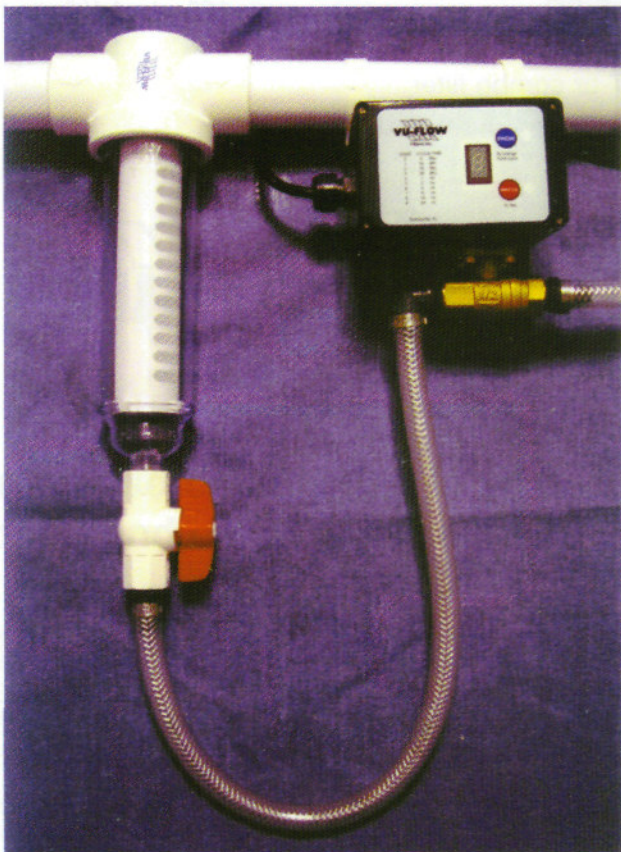
AFV  
AFV-KIT

### AFV-KIT Includes:

- (2) 1/2" Barb x 1/2" NPT male hose fittings
- (2) SAE size 8 SS worm drive clamps
- (24") 1/2" braid reinforced flexible PVC tubing. (rated at 215 PSI)

**Kit does not include filter or automatic flush valve.**

**Please note:** To insure optimum performance of automatic flush valve, it is recommended that you use the above rated tubing only.



## SPECIFICATIONS

Adjustable cycle time.....	5 min. - 24 hours
Working Pressure.....	200 PSIG
Ambient Temperature.....	35°F to 165°F
Enclosure .....	Nema 4
Voltage .....	115V, 1 Phase, 60HZ
Current.....	2.5 Amps
Valve Construction.....	Brass
Seals.....	Reinforced Teflon
Discharge Volume .....	1/2" NPT-.92 (Gal per cycle @ 30 PSIG)
Power cord.....	8 ft. heavy-duty grounded
Full-Port Ball Valve .....	1/2" NPT
Discharge Time .....	3.5 seconds (Non-Adjustable)